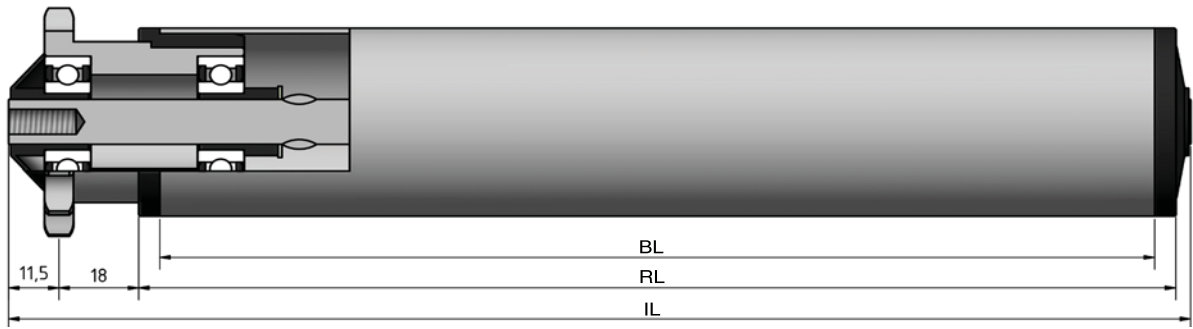


Type 631



STAS

T +31 (0) 229 28 29 40
www.eschgroup.nl



HTEC

T +31 (0) 416 31 66 00
www.eschgroup.nl



CONVEYOR

T +31 (0) 416 31 56 56
www.eschgroup.nl



| | | IL = RL + | | | | | CODE |
|--|---------------|-----------|----|----|----|----|------|
| | BUITENDRAAD | 53 | 55 | 57 | 58 | 60 | UD |
| | VERJONGING | 42 | 42 | 42 | 42 | 42 | VJ |
| | BINNENDRAAD | 42 | 42 | 42 | 42 | 42 | ID |
| | GLAD | | | | | | GA |
| | SLEUTELWIJDTE | 42 | 42 | 42 | 42 | 42 | SW |
| | VEREND | | | | | | VA |
| | AS Ø | 10 | 12 | 14 | 15 | 17 | |

| | | DRAAGVERMOGEN* | RL |
|----------------|--------|----------------|---------|
| STALEN BUIS | 50x1,5 | 100 kg | 1500 mm |
| | 50x2 | 100 kg | 1500 mm |
| | 50x3 | 100 kg | 1500 mm |
| | 60x2 | 100 kg | 1849 mm |
| | 60x3 | 100 kg | 1849 mm |
| RVS BUIS | 50x1,5 | 100 kg | 1500 mm |
| | 50x2 | 100 kg | 1500 mm |
| | 60,3x2 | 100 kg | 1500 mm |
| | 80x2 | 100 kg | 1849 mm |
| | 90x7 | 100 kg | 1100 mm |
| KUNSTSTOF BUIS | 50x2,8 | 100 kg | 600 mm |
| | 63x3 | 100 kg | 850 mm |
| | 90x7 | 100 kg | 1100 mm |

OMSCHRIJVING

Enkelrijige triebstock aandrijfelement 1/2"x5/6"-14* tanden, steekcirkel=57,07 mm en groefkogellager
Vaste aandrijving door **perspassing**. Dit type is alleen inzetbaar bij **continu aandrijving** en geen start stop situaties.

*Afwijkende tanden op aanvraag

Tegenlagering: Type 190, 200, 250, 300 en 312.

Keuze oppervlaktebehandelingen:

Verchromen

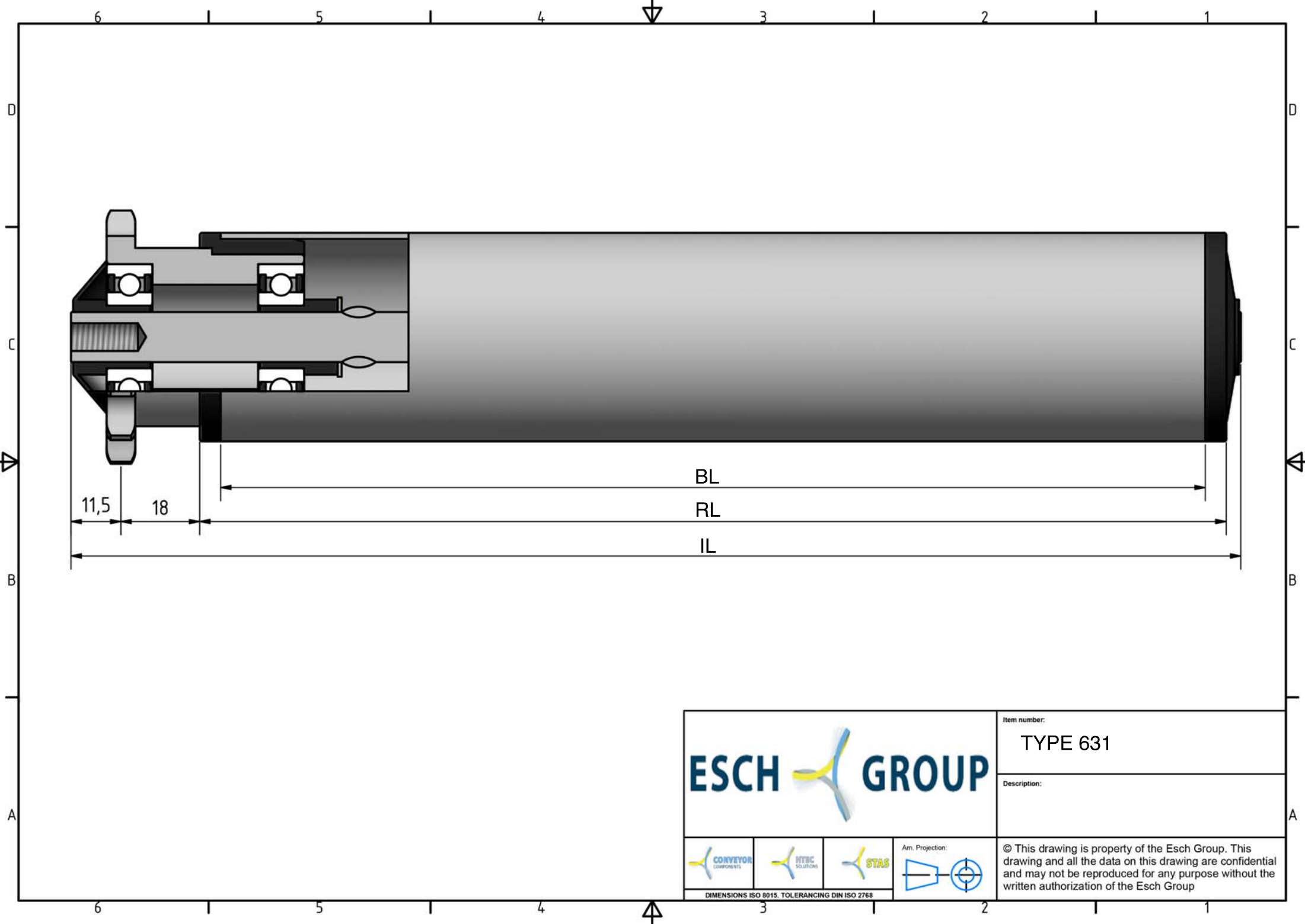
Epoxeren



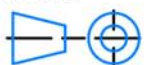
Elektrolytisch verzinken

631



* DRAAGVERMOGEN BIJ VLAKBELASTING
GEBASEERD OP AANGEGEVEN RL.



| | | | | | |
|---|--|--|--|--|--|
|  | | | | Item number: | |
| | | | | TYPE 631 | |
|  | | | | Description: | |
| | | | | © This drawing is property of the Esch Group. This drawing and all the data on this drawing are confidential and may not be reproduced for any purpose without the written authorization of the Esch Group | |
| DIMENSIONS ISO 8015. TOLERANCING DIN ISO 2768 | | | | Arr. Projection:  | |